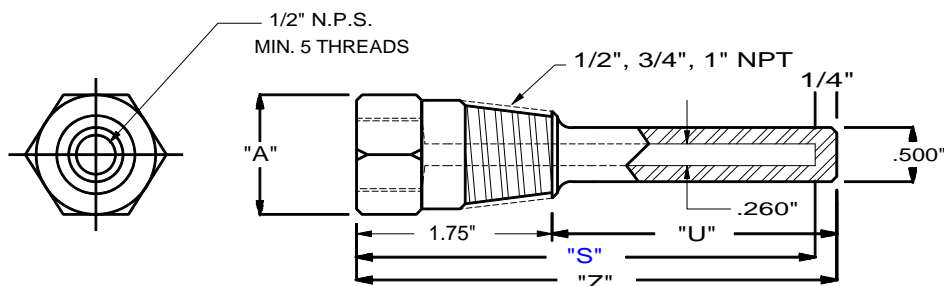


BI-METAL THERMOWELLS

.260" BORE

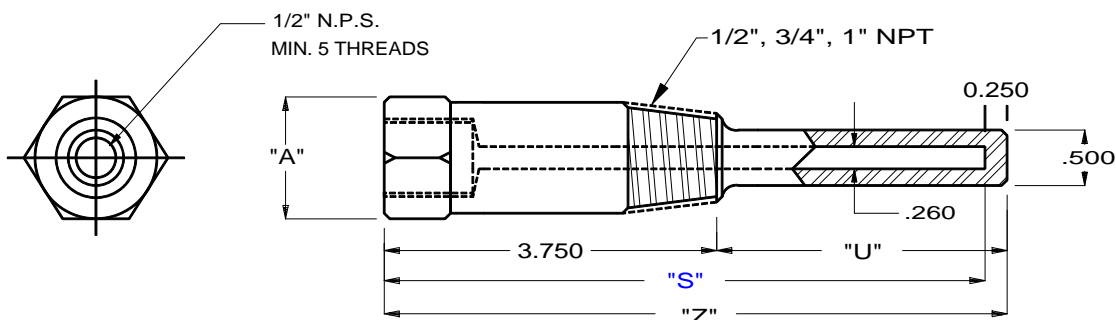


SERIES- " T1 "

STANDARD SIZES

STEM- "S"	" U "	" Z "
2.5"	1.0"	2.75"
3.0"	1.5"	3.25"
4.0"	2.5"	4.25"
6.0"	4.5"	6.25"

N.P.T.	" A "
1/2"	1.0"
3/4"	1.125"
1"	1.375"
1-1/4"	1.75"
1-1/2"	2.0"



SERIES- " T2 "

STANDARD SIZES

STEM- "S"	" U "	" Z "
6.0"	2.5"	6.25"
9.0"	5.5"	9.25"

N.P.T.	" A "
1/2"	1.0"
3/4"	1.125"
1"	1.375"
1-1/4"	1.75"
1-1/2"	2.0"

TEMTEX Temperature Systems, Inc

19053 W. US HWY 82, SHERMAN, TEXAS 75092
 (800) 527-2009 - (903) 813-1500 - FAX (903) 813-1950
 e-mail: temtex@temtex.net WWW.TEMTEX.NET