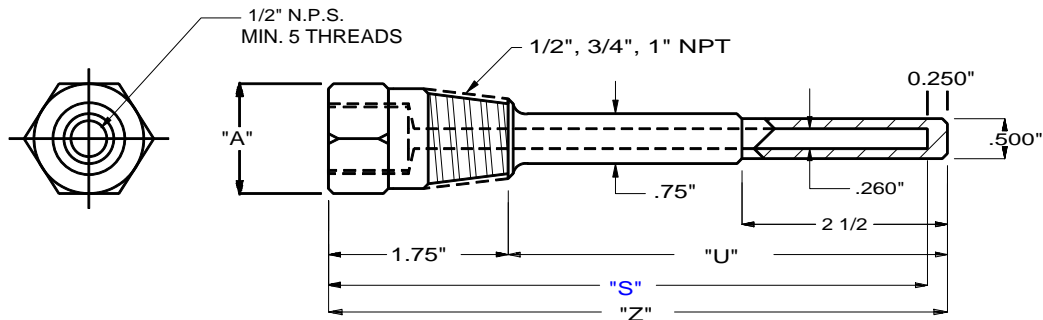


BI-METAL THERMOWELLS

.260" BORE

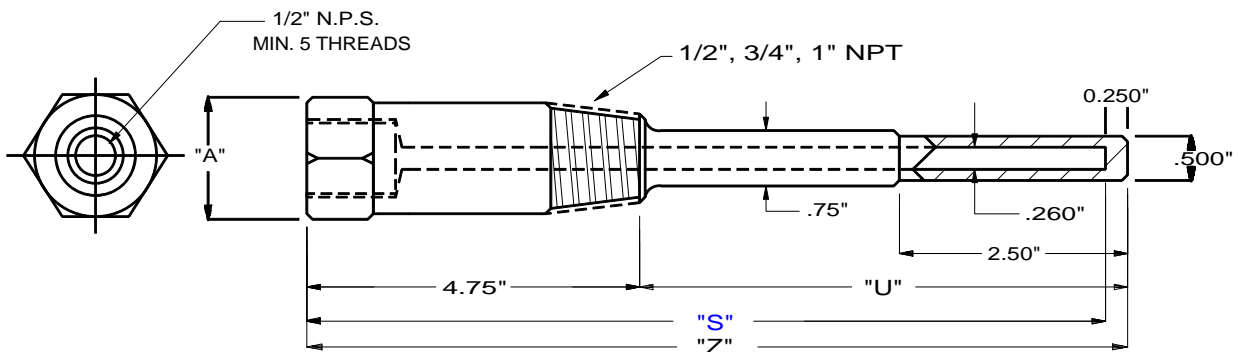


SERIES- " T3 "

STANDARD SIZES

STEM- "S"	" U "	" Z "
9.0"	7.5"	9.25"
12.0"	10.5"	12.25"
15.0"	13.5"	15.25"
18.0"	16.5"	18.25"
24.0"	22.5"	24.25"

N.P.T.	" A "
1/2"	1.0"
3/4"	1.125"
1"	1.375"
1-1/4"	1.75"
1-1/2"	2.0"



SERIES- " T4 "

STANDARD SIZES

STEM- "S"	" U "	" Z "
9.0"	4.5"	9.25"
12.0"	7.5"	12.25"
15.0"	10.5"	15.25"
18.0"	13.5"	18.25"
24.0"	19.5"	24.25"

N.P.T.	" A "
1/2"	1.0"
3/4"	1.125"
1"	1.375"
1-1/4"	1.75"
1-1/2"	2.0"