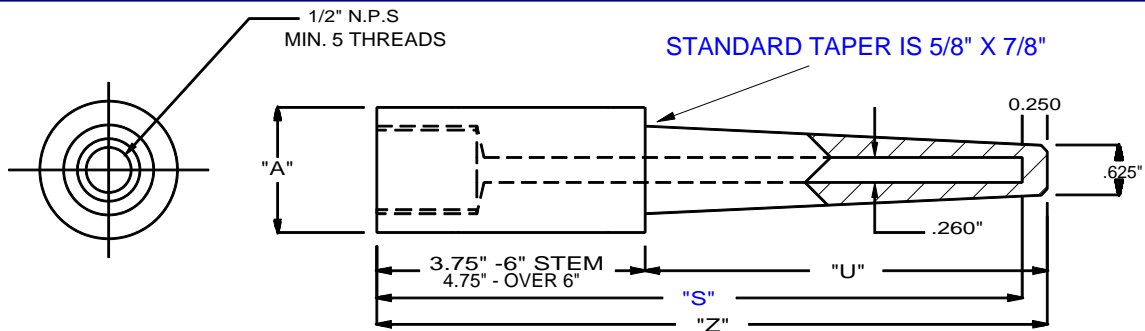


# BI-METAL THERMOWELLS

.260" BORE



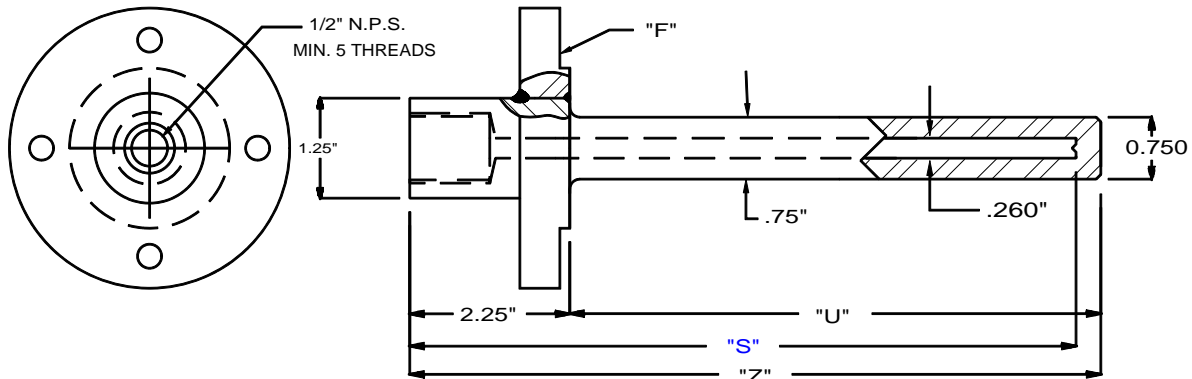
## SERIES- " T42 "

### STANDARD SIZES

STEM- "S"	" U "	" Z "
6.0"	2.5"	6.25"
9.0"	4.5"	9.25"
12.0"	7.5"	12.25"
15.0"	10.5"	15.25"

STEM- "S"	" U "	" Z "
18.0"	13.5"	18.25"
24.0"	19.5"	24.25"

PIPE SIZE	" A "	" B "
3/4"	1.05"	
1"	1.32"	
1-1/4"	1.66"	
1-1/2"	1.90"	



## SERIES- " T220 "

### STANDARD SIZES

STEM- "S"	" U "	" Z "
4.0"	2.0"	4.25"
6.0"	4.0"	6.25"
9.0"	7.0"	9.25"
12.0"	10.0"	12.25"
15.0"	7.0"	15.25"

STEM- "S"	" U "	" Z "
18.0"	16.0"	18.25"
24.0"	22.0"	24.25"

FLANGE	SIZE	"PSI"
AUR	1"	150
BUR	1-1/2"	150
CUR	2"	150
DUR	3"	150
EUR	4"	150

OTHER FLANGE SIZES AND RATINGS AVAILABLE

### HOW TO ORDER

PART NO.	MATERIAL (SEE TABLE)	FLANGE (SEE TABLE)	STEM LENGTH	OPTIONS AS REQUIRED
----------	-------------------------	-----------------------	----------------	------------------------

**TEMTEX** Temperature Systems, Inc

19053 W. US HWY 82, SHERMAN, TEXAS 75092  
 (800) 527-2009 - (903) 813-1500 - FAX (903) 813-1950  
 e-mail: temtex@temtex.net WWW.TEMTEX.NET

CATALOG TB- PAGE 6