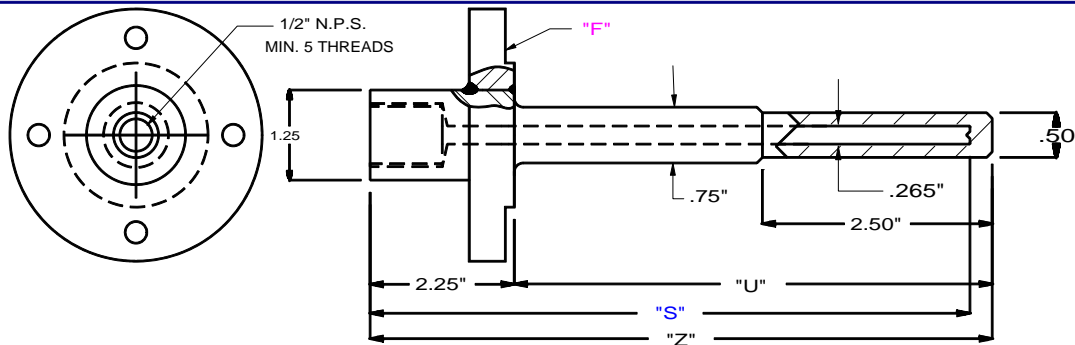


BI-METAL THERMOWELLS

.260" BORE



STANDARD SIZES

STEM- "S"	"U"	"Z"
4.0"	2.0"	4.25"
6.0"	4.0"	6.25"
9.0"	7.0"	9.25"
12.0"	10.0"	12.25"
15.0"	7.0"	15.25"

SERIES- " T222 "

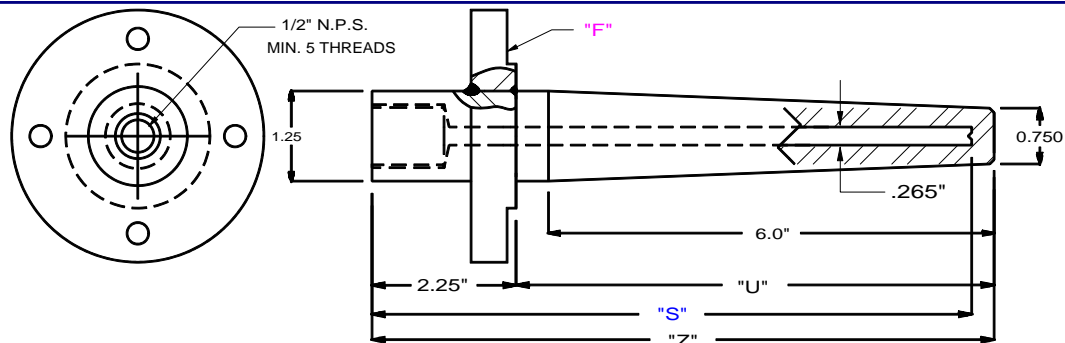
STEM- "S"	"U"	"Z"
18.0"	16.0"	18.25"
24.0"	22.0"	24.25"

FLANGE	SIZE	"PSI"
AUR	1"	150
BUR	1-1/2"	150
CUR	2"	150
DUR	3"	150
EUR	4"	150

OTHER FLANGE SIZES AND RATINGS AVAILABLE

HOW TO ORDER

PART NO.
MATERIAL
(SEE TABLE)
FLANGE
(SEE TABLE)
STEM
LENGTH
OPTIONS
AS REQUIRED



STANDARD SIZES

STEM- "S"	"U"	"Z"
4.0"	2.0"	4.25"
6.0"	4.0"	6.25"
9.0"	7.0"	9.25"
12.0"	10.0"	12.25"
15.0"	7.0"	15.25"

SERIES- " T224 "

STEM- "S"	"U"	"Z"
18.0"	16.0"	18.25"
24.0"	22.0"	24.25"

FLANGE	SIZE	"PSI"
AUR	1"	150
BUR	1-1/2"	150
CUR	2"	150
DUR	3"	150
EUR	4"	150

OTHER FLANGE SIZES AND RATINGS AVAILABLE

HOW TO ORDER

PART NO.
MATERIAL
(SEE TABLE)
FLANGE
(SEE TABLE)
STEM
LENGTH
OPTIONS
AS REQUIRED

TEMTEX Temperature Systems, Inc

19053 W. US HWY 82, SHERMAN, TEXAS 75092

(800) 527-2009 - (903) 813-1500 - FAX (903) 813-1950

e-mail: temtex@temtex.net

WWW.TEMTEX.NET

CATALOG TB- PAGE 7