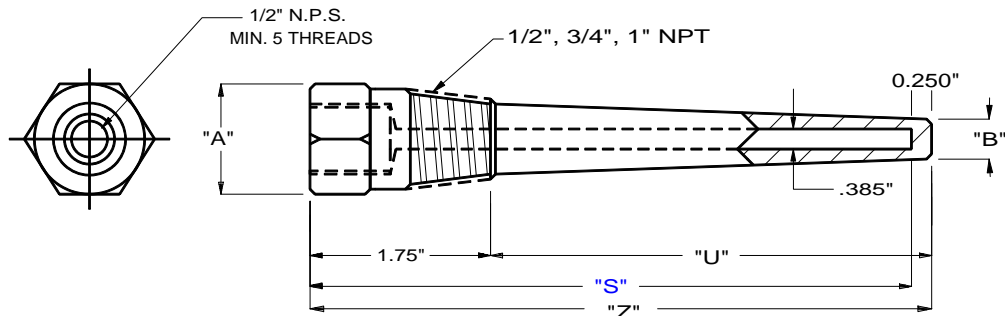


BULB THERMOWELLS

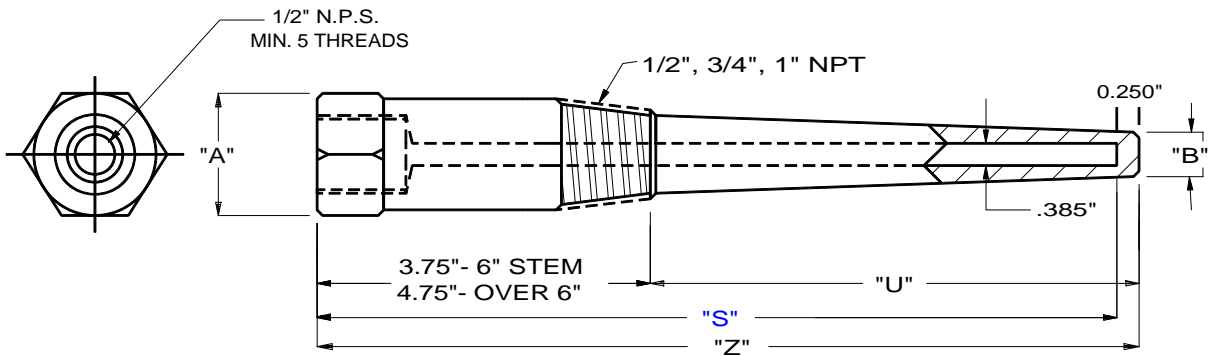
.385", .515", .718" BORE



STANDARD SIZES

SERIES- " T9 "

STEM- "S"	" U "	" Z "	STEM- "S"	" U "	" Z "	N.P.T.	" A "	" B "
2.5"	1.0"	2.75"	12.0"	10.5"	12.25"	1/2"	1.0"	.500"
3.0"	1.5"	3.25"	15.0"	13.5"	15.25"	3/4"	1.125"	.625"
4.0"	2.5"	4.25"	18.0"	16.5"	18.25"	1"	1.375"	.625"
6.0"	4.5"	6.25"	24.0"	22.5"	24.25"	1-1/4"	1.75"	.625"
9.0"	7.5"	9.25"				1-1/2"	2.0"	.625"



SERIES- " T10 "

STANDARD SIZES

STEM- "S"	" U "	" Z "	STEM- "S"	" U "	" Z "	N.P.T.	" A "	" B "
6.0"	2.5"	6.25"	18.0"	13.5"	18.25"	1/2"	1.0"	.500"
9.0"	4.5"	9.25"	24.0"	19.5"	24.25"	3/4"	1.125"	.625"
12.0"	7.5"	12.25"				1"	1.375"	.625"
15.0"	10.5"	15.25"				1-1/4"	1.75"	.625"
						1-1/2"	2.0"	.625"

TEMTEX Temperature Systems, Inc

19053 W. US HWY 82, SHERMAN, TEXAS 75092

(800) 527-2009 - (903) 813-1500 - FAX (903) 813-1950

e-mail: temtex@temtex.net

WWW.TEMTEX.NET

CATALOG TB- PAGE 9