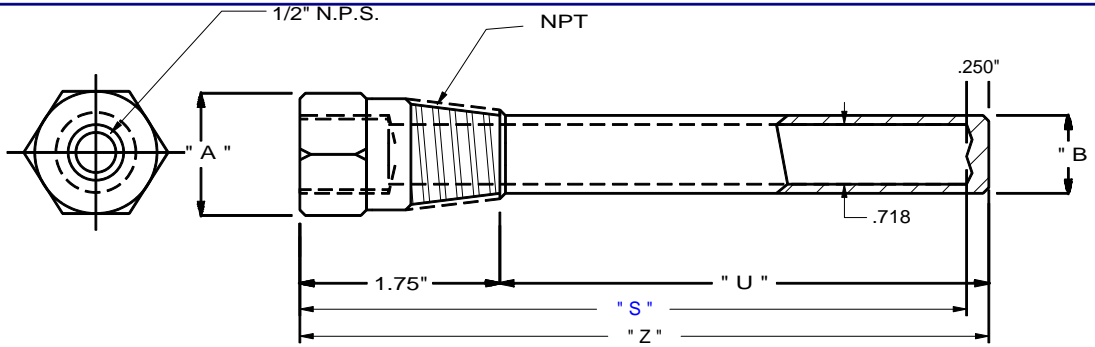


BULB THERMOWELLS

.385", .515", .718" BORE



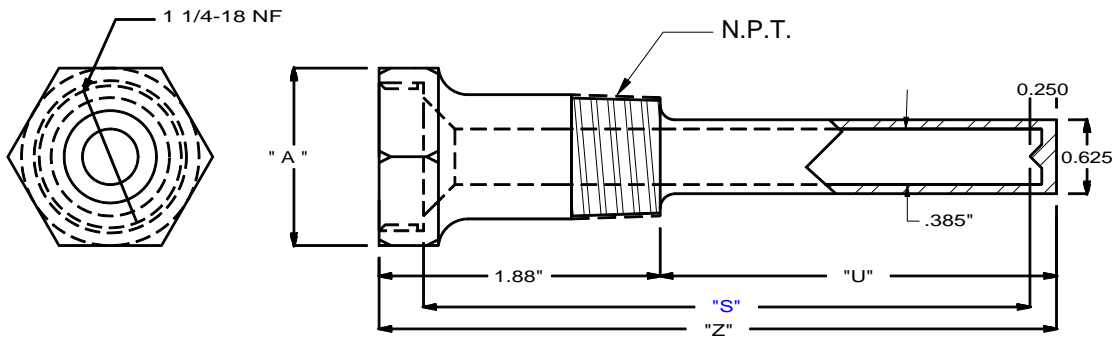
STANDARD SIZES

SERIES- " T11 "

STEM- "S"	" U "	" Z "
3.5"	2.0"	3.75"
4.0"	2.5"	4.25"
4.5"	3.0"	4.75"
5.5"	4.0"	5.75"
7.5"	6.0"	7.75"

STEM- "S"	" U "	" Z "
9.5"	8.0"	9.75"
11.5"	10.0"	11.75"
13.5"	12.0"	13.75"
16.5"	15.0"	26.75"

N.P.T.	" A "	" B "
3/4"	1.125"	.879"
1"	1.375"	1.10"
1-1/4"	1.75"	1.10"
1-1/2"	2.0"	1.10"



SERIES- " T12 "

STANDARD SIZES

STEM- "S"	" U "	" Z "
2.5"	.88"	2.75"
3.0"	1.38"	3.25"
4.0"	2.38"	4.25"
6.0"	4.38"	6.25"

STEM- "S"	" U "	" Z "
9.0"	7.38"	9.25"
12.0"	10.38"	12.25"
15.0"	13.38"	15.25"
18.0"	16.38"	18.25"

N.P.T.	" A "	" B "
3/4"	1.50"	.625"
1"	1.50"	.625"
1-1/4"	1.75"	.625"
1-1/2"	2.0"	.625"

TEMTEX Temperature Systems, Inc

19053 W. US HWY 82, SHERMAN, TEXAS 75092

(800) 527-2009 - (903) 813-1500 - FAX (903) 813-1950

e-mail: temtex@temtex.net

WWW.TEMTEX.NET