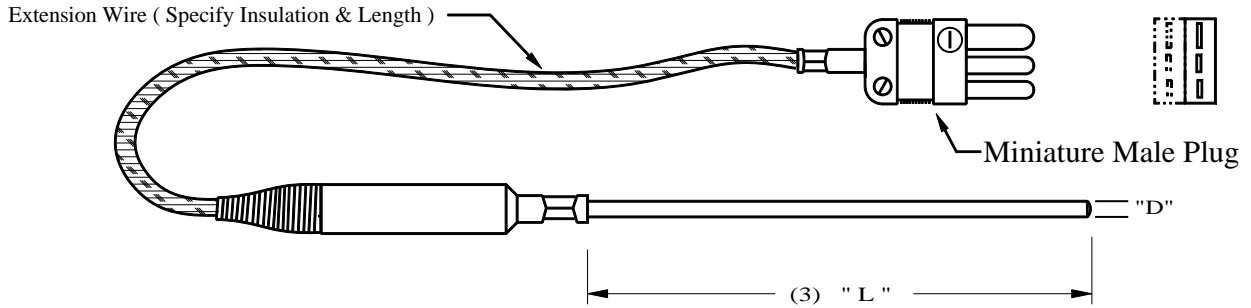


RTD PROBES

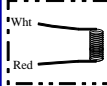
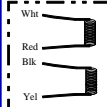
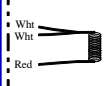


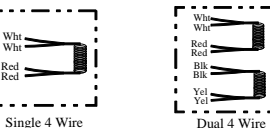
Resistance Temperature Detector

SERIES **336** RTD PROBE (Resistance temperature Detector)



HOW TO ORDER

336 -
 (1) Calibration & Configuration -
 (2) Size & Sheath -
 (3) Length in Inches -
 (4) Options as required
(Example- 14.5")

(1) Calibration & Configuration			
	Code	Calibration	Configuration
 Single 2 Wire	P21	" Single Element" 100 ohm	2 Wire
 Dual 2 Wire	P22	" Dual Element" 100 ohm	2 Wire
 Single 3 Wire	P31	" Single Element" 100 ohm	3 Wire
 Dual 3 Wire	P32	" Dual Element" 100 ohm	3 Wire
 Single 4 Wire	P41	" Single Element" 100 ohm	4 Wire
 Dual 4 Wire	P42	" Dual Element" 100 ohm	4 Wire

(2) Size & Sheath		
Code	Dia.	Sheath Material
030	.188"	304 Stainless Steel
031		316 Stainless Steel
032		Inconel 600
040	.250"	304 Stainless Steel
041		316 Stainless Steel
042		Inconel 600
050	.312"	304 Stainless Steel
051		316 Stainless Steel
052		Inconel 600
060	.375"	304 Stainless Steel
061		316 Stainless Steel
062		Inconel 600

(4) Optional Lead Wires (LW)	
Code	Lead Insulation Type
BL *	Bare Leads (Solid)
GG *	Glass \ Glass Insulation
PP *	PVC \ PVC Insulation
PAP *	PVC \ PVC with Shield
SSO *	S/S Overbraid over Glass
CCD	Coiled Cord (5 Ft.)

(4) Optional Adjustable Fittings		
Code	Thread	Material
SA2	1/8" NPT	Stainless Steel
BA2	Max. .250" Dia.	Brass
SA4	1/4" NPT	Stainless Steel
BA4	Max. .375" Dia.	Brass
SA6	3/8" NPT	Stainless Steel
BA6	3/8" NPT	Brass
SA8	1/2" NPT	Stainless Steel
BA8	1/2" NPT	Brass

* = Length in Inches (Example- BL3.5")

TEMTEX Temperature Systems, Inc

19053 W. US HWY 82, SHERMAN, TEXAS 75092

(800) 527-2009 - (903) 813-1500 - FAX (903) 813-1950

e-mail: temtex@temtex.net

WWW.TEMTEX.NET