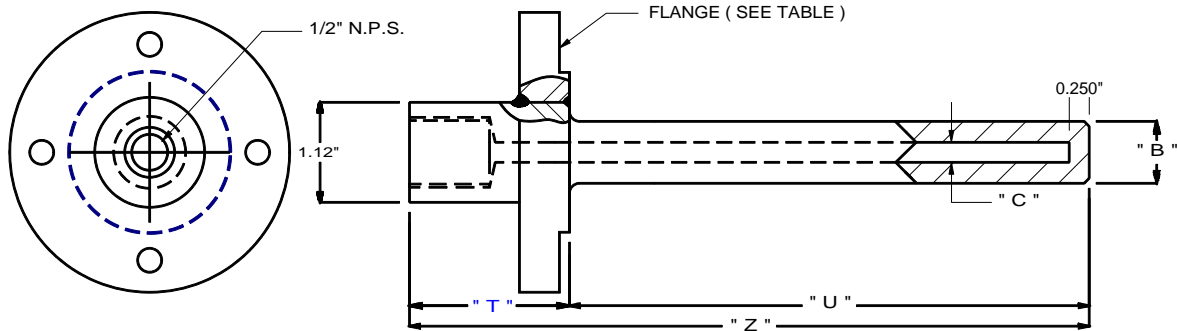


SENSOR THERMOWELLS

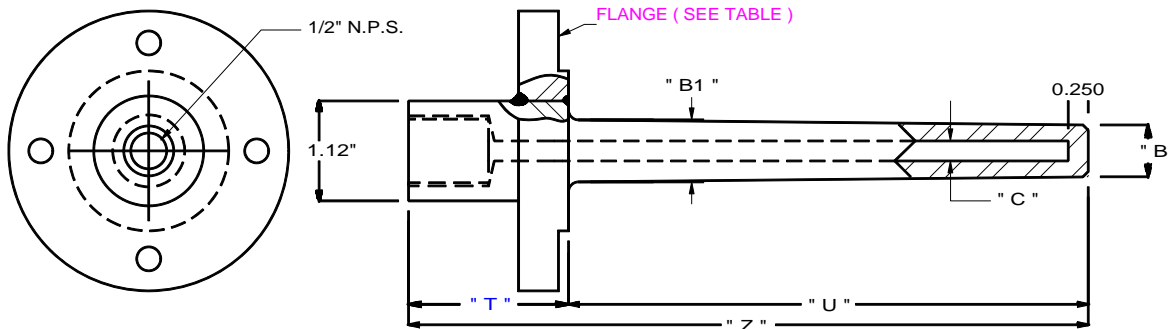


FLANGED - STRAIGHT, BARSTOCK

PART NO.	" A " * BAR SIZE	" B " * WELL DIA.	" C " * BORE	" T " * STANDARD
220S	1.25"	.88"	.500"	2.0"
221S	1.25"	.88"	.437"	2.0"
222S	1.25"	.75"	.390"	2.0"
223S	1.25"	.62"	.265"	2.0"
224S	1.25"	.88"	.718"	2.0"

* BAR DIAMETER WILL INCREASE WITH FEMALE THREAD SIZE

HOW TO ORDER:



FLANGED - TAPERED, BARSTOCK

PART NO.	" A " * BAR SIZE	" B " * WELL DIA.	" B1 " * WELL DIA.	" C " * BORE	" T " * STANDARD
220T	1.25"	1.0"	1.12"	.500"	2.0"
221T	1.25"	.88"	1.12"	.437"	2.0"
222T	1.25"	.75"	1.0"	.390"	2.0"
223T	1.25"	.62"	.88"	.265"	2.0"
224T	1.25"	1.0"	1.12"	.718"	2.0"

* BAR DIAMETER WILL INCREASE WITH FEMALE THREAD SIZE

HOW TO ORDER:



TEMTEX Temperature Systems, Inc

19053 W. US HWY 82, SHERMAN, TEXAS 75092

(800) 527-2009 - (903) 813-1500 - FAX (903) 813-1950

e-mail: temtex@temtex.net

WWW.TEMTEX.NET