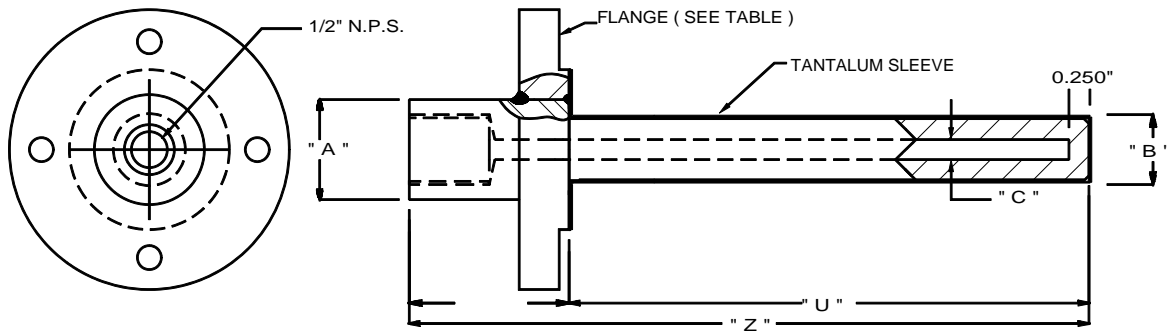


SENSOR THERMOWELLS



FLANGED - TANTALUM SLEEVE

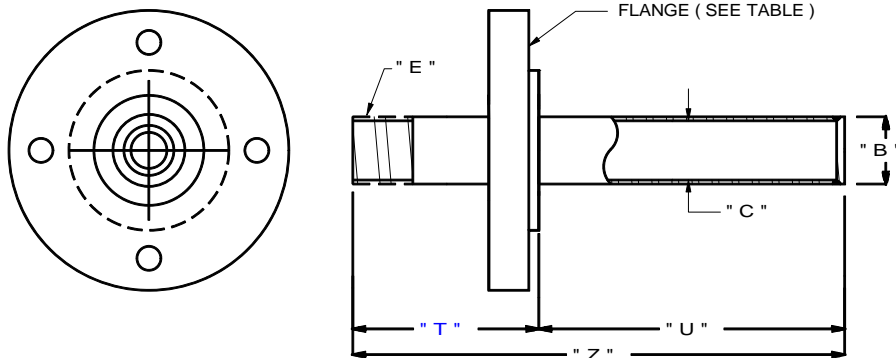
| PART NO. | " A " * BAR SIZE | " B " WELL DIA. | " C " BORE | " T " STANDARD |
|----------|---------------------|--------------------|---------------|-------------------|
| 250 | 1.25" | .88" | .500" | 2.0" |
| 251 | 1.25" | .88" | .437" | 2.0" |
| 252 | 1.25" | .75" | .390" | 2.0" |
| 253 | 1.25" | .62" | .265" | 2.0" |
| 254 | 1.25" | .88" | .718" | 2.0" |

* BAR DIAMETER WILL INCREASE WITH FEMALE THREAD SIZE
TANTALUM SLEEVE ONLY MAY BE ORDERED BY ADDING
ONE ZERO TO THE PART NUMBER

HOW TO ORDER:

| | | | | | |
|----------|-------------------------|-----------------------|--------------|--|------------------------|
| PART NO. | MATERIAL (SEE TABLE) | FLANGE (SEE TABLE) | LENGTH " U " | LENGTH " T " IF DIFFERENT FROM STD. | OPTIONS AS REQUIRED |
|----------|-------------------------|-----------------------|--------------|--|------------------------|

STANDARD MATERIAL IS 304 S/S



PROTECTION WELL - FLANGED

| PART NO. | " E " THREAD | " B " WELL DIA. | " C " BORE | " T " STANDARD |
|----------|-----------------|--------------------|---------------|-------------------|
| 650 | 1/4" | .54" | .36" | 3.0" |
| 651 | 1/2" | .84" | .62" | 3.0" |
| 652 | 3/4" | 1.05" | .82" | 3.0" |
| 653 | 1" | 1.32" | 1.05" | 3.0" |
| 654 | 1/4" | .54" | .30" | 3.0" |
| 655 | 1/2" | .84" | .54" | 3.0" |
| 656 | 3/4" | 1.05" | .74" | 3.0" |
| 657 | 1" | 1.32" | .96" | 3.0" |

HOW TO ORDER:

| | | | | | |
|----------|-------------------------|-----------------------|--------------|--|------------------------|
| PART NO. | MATERIAL (SEE TABLE) | FLANGE (SEE TABLE) | LENGTH " U " | LENGTH " T " IF DIFFERENT FROM STD. | OPTIONS AS REQUIRED |
|----------|-------------------------|-----------------------|--------------|--|------------------------|

STANDARD MATERIAL IS 304 S/S

TEMTEX Temperature Systems, Inc

19053 W. US HWY 82, SHERMAN, TEXAS 75092

(800) 527-2009 - (903) 813-1500 - FAX (903) 813-1950

e-mail: temtex@temtex.net

WWW.TEMTEX.NET