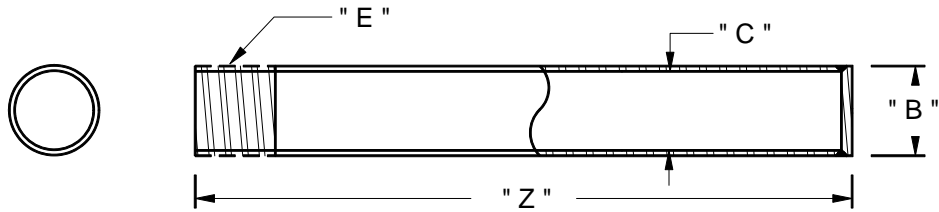


# SENSOR THERMOWELLS

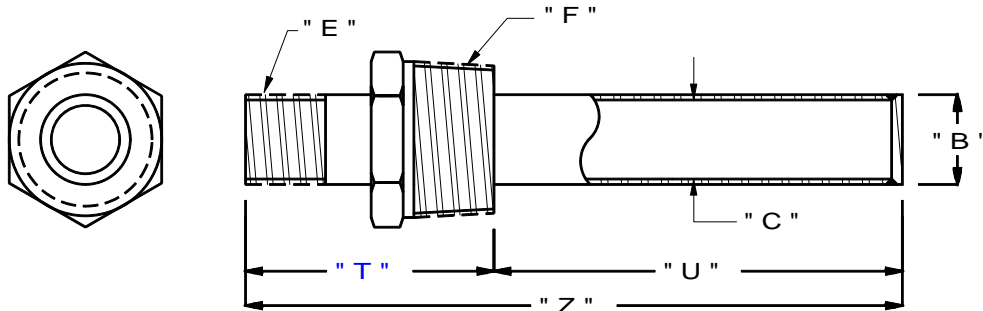


## PROTECTION WELL- PIPE

PART NO.	" E " THREAD	" B " WELL DIA.	" C " BORE
550	1/4"	.54"	.36"
551	1/2"	.84"	.62"
552	3/4"	1.05"	.82"
553	1"	1.32"	1.05"
554	1/4"	.54"	.30"
555	1/2"	.84"	.54"
556	3/4"	1.05"	.74"
557	1"	1.32"	.96"

### HOW TO ORDER:

STANDARD MATERIAL IS 304 S/S



## PROTECTION WELL- BUSHING

PART NO.	" E " THREAD	" B " WELL DIA.	" C " BORE	" T " STANDARD
620	1/4"	.54"	.36"	3.0"
621	1/2"	.84"	.62"	3.0"
622	3/4"	1.05"	.82"	3.0"
623	1"	1.32"	1.05"	3.0"
624	1/4"	.54"	.30"	3.0"
625	1/2"	.84"	.54"	3.0"
626	3/4"	1.05"	.74"	3.0"
627	1"	1.32"	.96"	3.0"

### HOW TO ORDER:

STANDARD MATERIAL IS 304 S/S