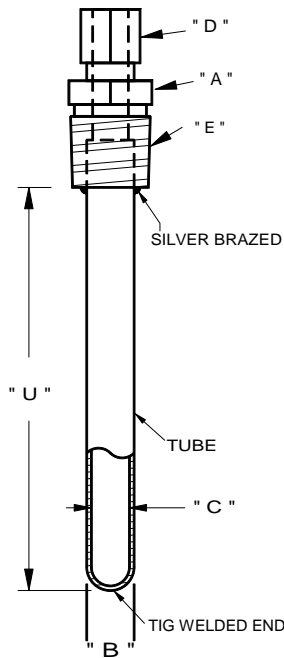


# SENSOR THERMOWELLS

## COMPRESSION STYLE - LIGHT DUTY- LOW TEMP



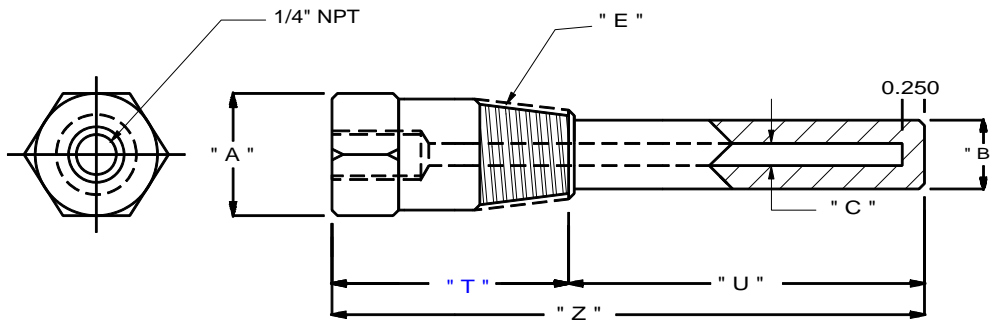
PART NO.	" A " * HEX SIZE	" B " * WELL DIA.	" C " * BORE	" E " * N.P.T.	" D " * TUBE DIA.
TS11	.875"	.250"	.180"	1/2"	.125"
TS21	.875"	.250"	.210"	1/2"	.188"
TS31	.875"	.375"	.305"	1/2"	.250"
TS41	.875"	.500"	.402"	1/2"	.312"
TS51	.875"	.500"	.402"	1/2"	.375"
TS61	.875"	.625"	.550"	1/2"	.500"
TS12	1.12"	.250"	.180"	3/4"	.125"
TS22	1.12"	.250"	.210"	3/4"	.188"
TS32	1.12"	.375"	.305"	3/4"	.250"
TS42	1.12"	.500"	.402"	3/4"	.312"
TS52	1.12"	.500"	.402"	3/4"	.375"
TS62	1.12"	.625"	.550"	3/4"	.500"

THIS UNIT OFFERED IN 304 S/S ( P ), 316 S/S ( R ), AND COPPER ( CU ) ONLY

### HOW TO ORDER:

PART NO.	MATERIAL (SEE TABLE)	LENGTH " U "	OPTIONS AS REQUIRED
----------	-------------------------	--------------	------------------------

STANDARD MATERIAL IS 304 S/S



## TEST THERMOWELL - BARSTOCK

PART NO.	" A " * HEX SIZE	" B " * WELL DIA.	" C " * BORE	" E " * N.P.T.	" T " * STANDARD
TW06	.75"	.563"	.390"	3/8"	1.75"
TW08	1.0"	.625"	.390"	1/2"	1.75"
TW12	1.12"	.625"	.390"	3/4"	1.75"
TW16	1.38"	.750"	.390"	1"	1.75"
TW20	1.75"	.875"	.390"	1-1/4"	2.00"
TW24	2.0"	.875"	.390"	1-1/2"	2.00"

### HOW TO ORDER:

PART NO.	MATERIAL (SEE TABLE)	LENGTH " U "	LENGTH " T " * IF DIFFERENT FROM STD.	OPTIONS AS REQUIRED
----------	-------------------------	--------------	--	------------------------

STANDARD MATERIAL IS 304 S/S

**TEMTEX** Temperature Systems, Inc

19053 W. US HWY 82, SHERMAN, TEXAS 75092

(800) 527-2009 - (903) 813-1500 - FAX (903) 813-1950

e-mail: temtex@temtex.net

WWW.TEMTEX.NET