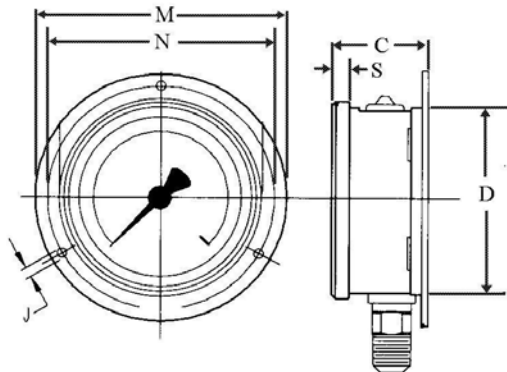


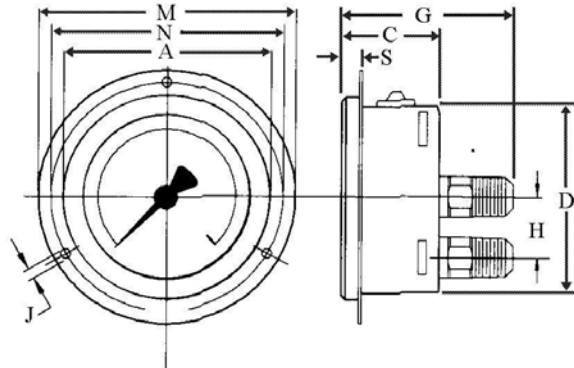
# ADDITIONAL CASE STYLES

P/N	DRY CASES	P/N	GLYCERIN FILLED CASES
500	4 1/2" FRONT FLANGE CASE (ALUM.) HINGED FRONT LENS	230	2 1/2" FRONT FLANGE CASE STAINLESS STEEL
505	4 1/2" BACK MOUNT TURRET CASE, LOWER CONNECT	233	2 1/2" U-CLAMP STAINLESS STEEL CASE
507	4 1/2" BACK FLANGE, BACK CONNECTED, SCREW LENS	237	2 1/2" BACK FLANGE STAINLESS CASE, LOWER CONNECT
510	4 1/2" BACK MOUNT TURRET CASE, LOWER BACK CONNECT	430	4" FRONT FLANGE CASE STAINLESS STEEL
511	4 1/2" BACK FLANGE CASE (ALUM.) LOWER BACK CONNECT	433	4" U-CLAMP STAINLESS STEEL CASE
550	4" BACK FLANGE STAINLESS CASE, LOWER CONNECT	437	4" BACK FLANGE STAINLESS CASE, LOWER CONNECT
551	4" FRONT FLANGE STAINLESS CASE, LOWER BACK CONNECT	438	4" BACK FLANGE STAINLESS CASE, LOWER BACK CONNECT
533	4" U-CLAMP STAINLESS CASE LOWER BACK CONNECT	506	4 1/2" BACK MOUNT TURRET CASE, LOWER BACK CONNECT
600	6" FRONT FLANGE CASE (ALUM.) HINGED FRONT RING	508	6" BACK FLANGE STAINLESS CASE, LOWER BACK CONN.
601	6" BACK MOUNT TURRET CASE, LOWER BACK CONNECT	535	4 1/2" BACK MOUNT TURRET CASE, LOWER CONNECT
602	6" BACK MOUNT TURRET CASE, LOWER CONNECT	606	6" FRONT FLANGE STAINLESS CASE, LOWER BACK CONNECT
603	6" U-CLAMP STAINLESS CASE LOWER BACK CONNECT	608	6" BACK FLANGE STAINLESS CASE, LOWER CONNECT
604	6" BACK FLANGE CASE (ALUM.) THREADED RING, LOWER CONN.		
607	6" BACK FLANGE STAINLESS CASE, LOWER BACK CONNECT		

**BACK FLANGE, LOWER CONNECTED**



**FRONT FLANGE, BACK CONNECTED**



P/N	"C"	"D"	"M"	"N"	"S"
550	1.89	4.0	5.20	4.57	.31
237	1.26	2.5	3.35	2.95	.26
437	1.89	4.0	5.20	4.57	.31
608	1.95	6.00	7.72	7.00	

P/N	"C"	"D"	"M"	"N"	"S"
551	1.89	3.94	5.20	4.57	.31
230	1.26	2.44	3.35	2.95	.26
430	1.89	3.94	5.20	4.57	.31
606	1.93	6.34	7.72	7.01	

MORE CASE LAYOUTS ON THE FOLLOWING PAGE

**TEMTEX** Temperature Systems, Inc

19053 W. US HWY 82, SHERMAN, TEXAS 75092  
 (800) 527-2009 - (903) 813-1500 - FAX (903) 813-1950  
 e-mail: [temtex@temtex.net](mailto:temtex@temtex.net) [WWW.TEMTEX.NET](http://WWW.TEMTEX.NET)