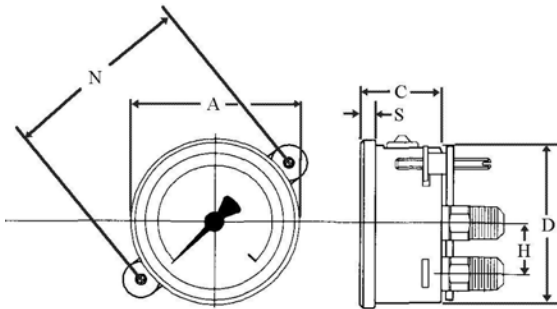


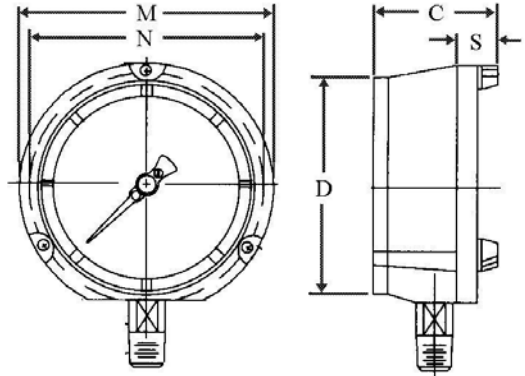
ADDITIONAL CASE LAYOUTS

U-CLAMP, BACK CONNECTED



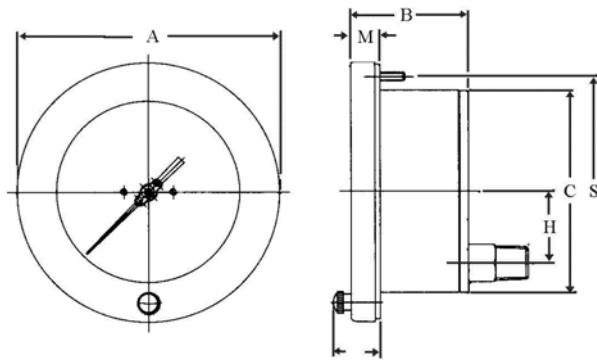
P/N	"C"	"D"	"A"	"N"	"S"
533	1.93	3.94	4.00	4.57	.31
233	1.26	2.44	2.50	2.95	.26
433	1.93	3.94	4.00	4.57	.31
603	2.19	6.30	6.85		.25

REAR FLANGE, LOWER CONNECTED



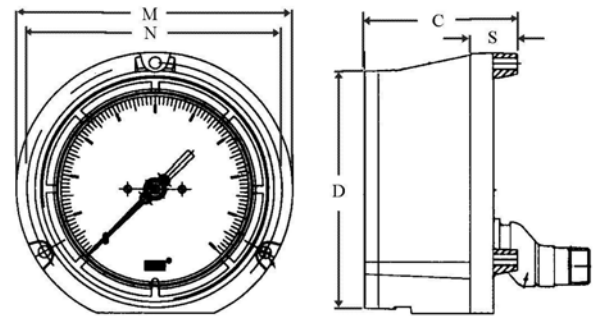
P/N	"C"	"D"	"M"	"N"	"S"
505	3.23	4.5	5.83	5.37	.98
602	3.23	4.5	5.83	5.37	.98
535	3.23	4.5	5.83	5.37	.98

FRONT FLANGE, BACK CONNECTED



P/N	"C"	"B"	"A"	"M"	"S"
500	4.73	2.70	6.09	.67	5.38
600	6.26	2.70	7.56	.67	7.00

REAR FLANGE, BACK CONNECTED



P/N	"C"	"D"	"M"	"N"	"S"
510	3.23	4.5	5.83	5.37	.98
601	3.23	4.5	5.83	5.37	.98
506	3.23	4.5	5.83	5.37	.98

MORE CASE STYLES ON THE FOLLOWING PAGE

TEMTEX Temperature Systems, Inc

19053 W. US HWY 82, SHERMAN, TEXAS 75092

(800) 527-2009 - (903) 813-1500 - FAX (903) 813-1950

e-mail: temtex@temtex.net

WWW.TEMTEX.NET