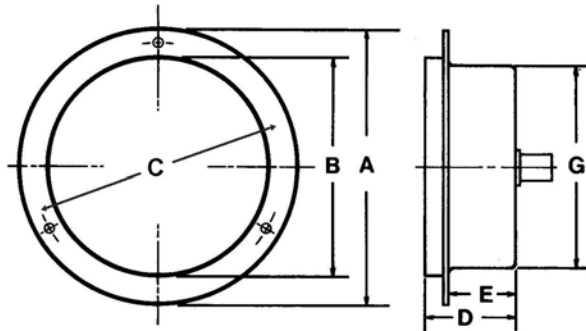


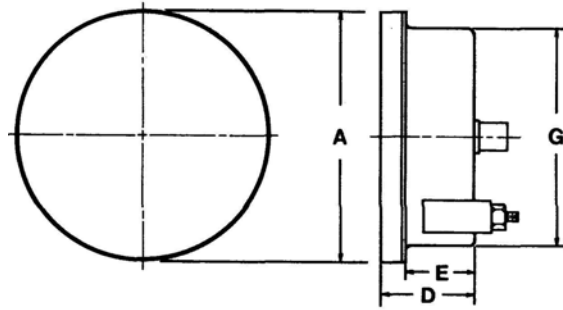
STANDARD CASE LAYOUTS (PAGE 1)

FRONT FLANGE, BACK CONNECTED



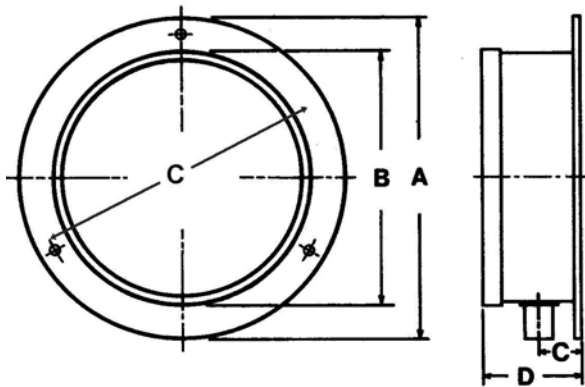
P/N	"A"	"B"	"C"	"D"	"E"	"G"
2"	2.94	2.25	2.56	1.33	1.09	2.12
2 1/2"	3.53	2.80	3.13	1.39	1.09	2.59
3 1/2"	4.84	3.88	4.25	1.41	1.09	3.69

U-CLAMP, BACK CONNECTED



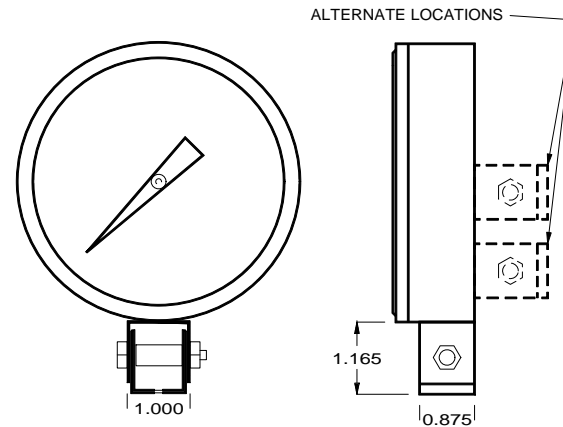
P/N	"A"	"B"	"C"	"D"	"E"	"G"
2"	2.28			1.33	1.09	2.12
2 1/2"	2.81			1.39	1.09	2.59
3 1/2"	3.94			1.41	1.09	3.69

BACK FLANGE, LOWER CONNECTED



P/N	"A"	"B"	"C"	"D"	"E"	"G"
2 1/2"	3.50	2.70	3.13	1.19		
3 1/2"	4.63	3.75	4.25	1.31		
4 1/2"	5.81	4.75	5.38	2.03		

STYLE 11 MOUNT, ANY CASE



TYPE 11 MOUNT CAN BE MADE STRAIGHT TO THE BULB OR USED WITH STANDARD CAPILLARY.

MORE CASE STYLES ON THE FOLLOWING PAGE

TEMTEX Temperature Systems, Inc

19053 W. US HWY 82, SHERMAN, TEXAS 75092
 (800) 527-2009 - (903) 813-1500 - FAX (903) 813-1950
 e-mail: temtex@temtex.net WWW.TEMTEX.NET